

## Accessories: Mounting unit BMS CU-M-D12-A040-00

### Common Data

Version

Base holder for 1 rod  $\varnothing 12$  mm  
(vertical or horizontal)

Usable with

for mounting on base plates or  
rails

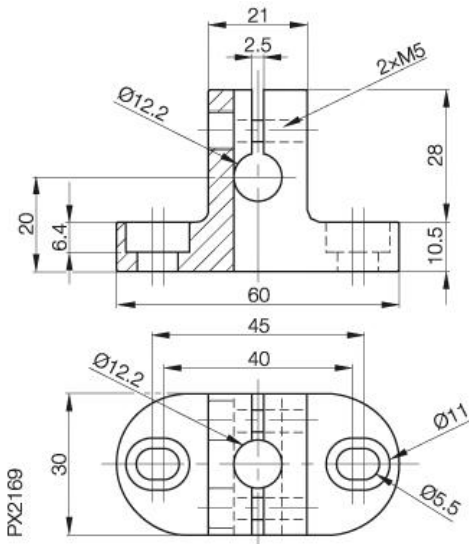
### Mechanical Data

Measurements WxHxD or Dia x D

60x30x38,5

Material

AL anodized



Datasheet number::

Definitions see general catalog.  
If not otherwise noted, ratings according to  
IEC 60947-5-2 (DIN EN60947-5-2)

Balluff GmbH  
Schurwaldstrasse 9  
73765 Neuhausen a.d.F.  
Phone (07158) 173-0 Fax (07158) 5010

Datenblatt by CD-ROM - 04/2007

**BALLUFF**  
sensors worldwide